



TRANSPORTATION CABINET

Frankfort, Kentucky 40622
www.transportation.ky.gov/

Steven L. Beshear
Governor

Michael W. Hancock, P.E.
Secretary

January 25, 2012

CALL NO. 314
CONTRACT ID NO. 122919
ADDENDUM # 1

Subject: Floyd County, FE02 036 0404 B00036N
Letting January 27, 2012

(1)Added - Bridge Drawings - Pages 28(a)-28(b) of 70

Proposal revisions are available at <http://transportation.ky.gov/contract/>.

If you have any questions, please contact us at 502-564-3500.

Sincerely,

A handwritten signature in blue ink that reads "Ryan Griffith".

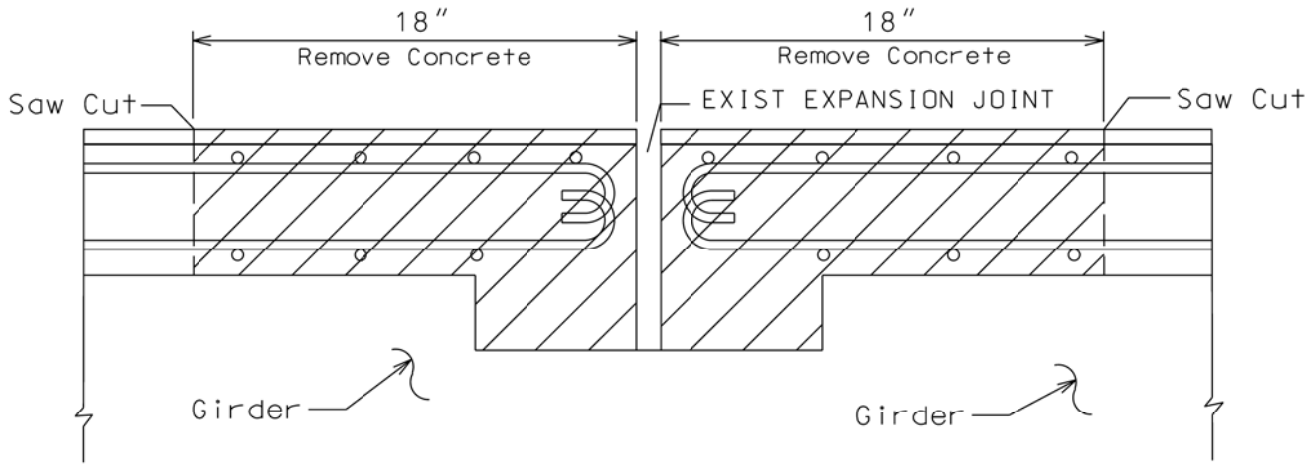
Ryan Griffith
Director
Division of Construction Procurement

RG:ks
Enclosures



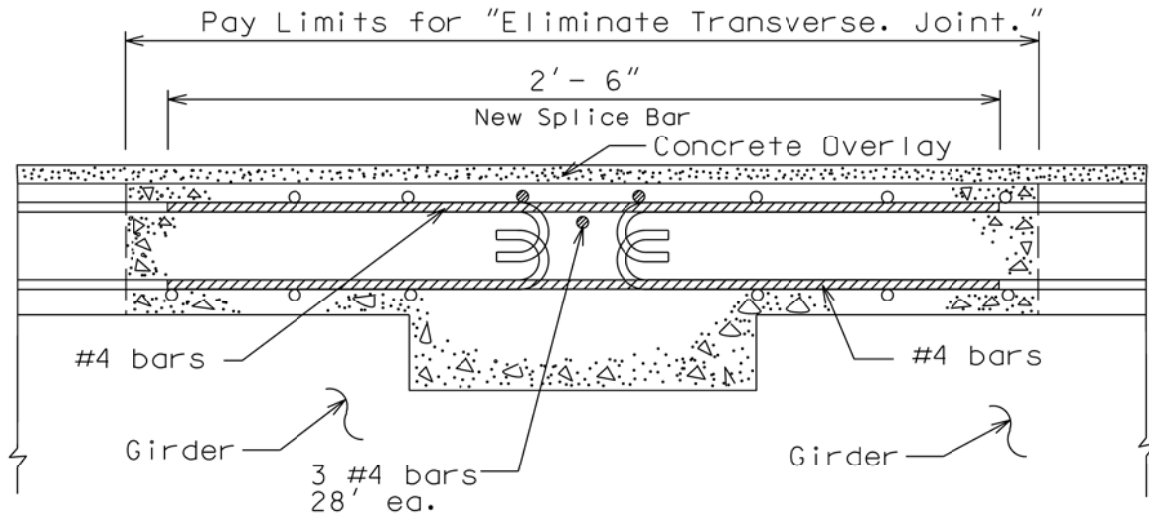
An Equal Opportunity Employer M/F/D

ELIMINATE TRANSVERSE JOINT DETAIL



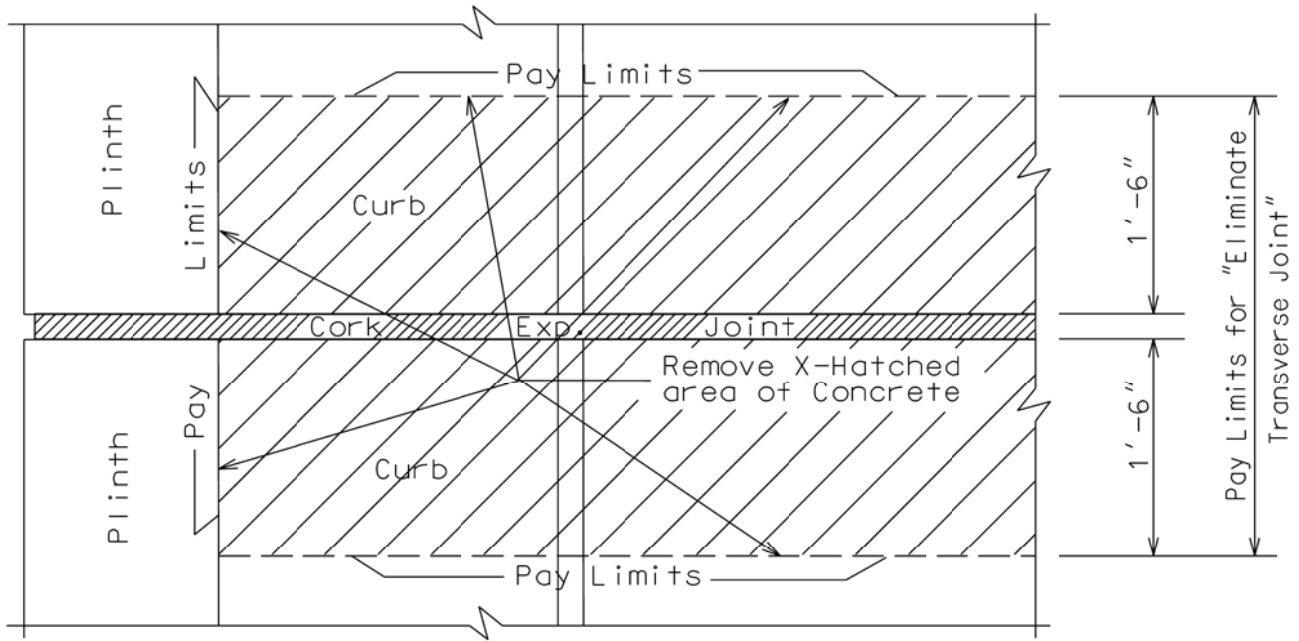
NOTE: Do not disturb existing Steel Reinforcement

EXISTING SECTION @ Transverse Joint

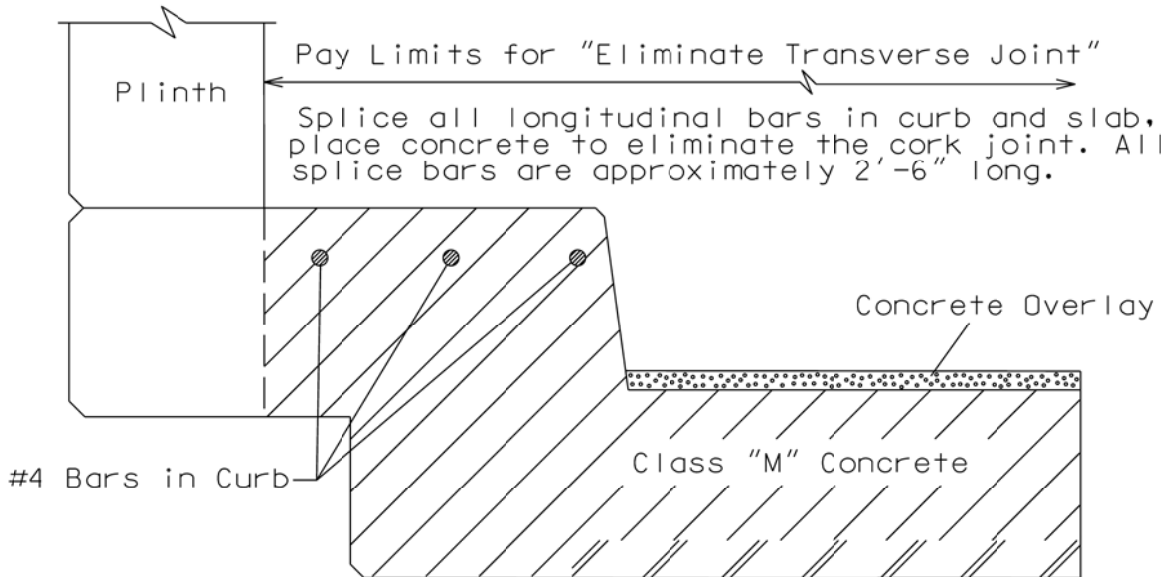


PROPOSED SECTION @ Transverse Joint

ELIMINATE TRANSVERSE JOINT DETAIL



EXISTING PLAN VIEW @ CURB



PROPOSED SECTION @ CURB